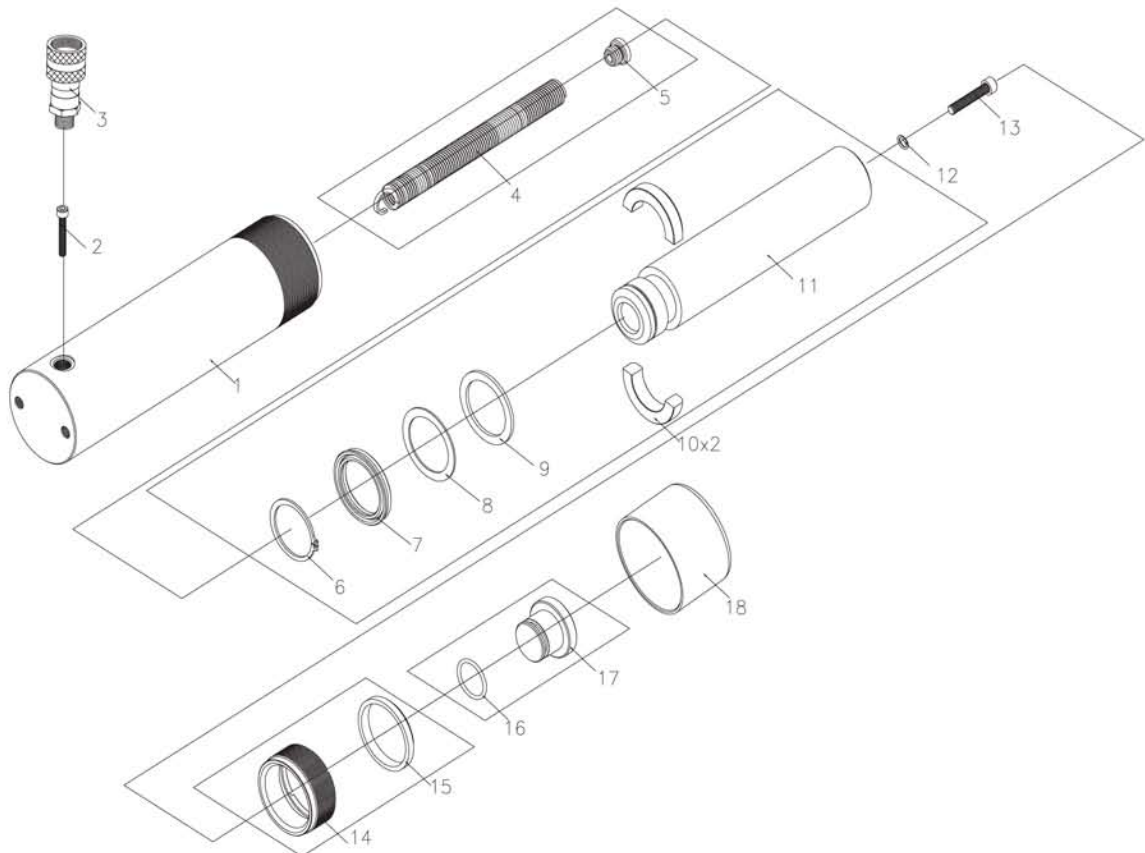




ZR-106 ~ ZR-1014 Parts Breakdown

Toll Free: 1-800-579-8088 Web: www.zinko.com

REV 091807



No.	Stock #	Description
1	921-10##-01	Cylinder
2	921-106-02	# Screw
3	921-106-03	# Hydraulic Couplers
4	921-10##-04	Return Spring
5	921-10##-05	Screw Bush
6	921-106-06	# *C-Ring
7	921-106-07	# *Backup Seal
8	921-106-08	# *Back Seal
9	921-106-09	# *Washer

No.	Stock #	Description
10	921-106-10	# Stop Ring
11	921-10##-11	Piston Rod
12	921-106-12	# Washer
13	921-106-13	# Screw
14	921-106-14	# Rod Wiper
15	921-106-15	# Shelter Dust
16	921-106-16	# *O-Ring
17	921-106-17	# Cylinder Cap
18	921-106-18	# Cylinder Cover
RP	921-106-RP	Repair Kits (All *)

ZR-106 ~ ZR-1014 sharing parts..