



Racing Car Service Jack

Model: ZSJ-10A

Capacity: 1 ton

Weight: 42 lbs

Usage

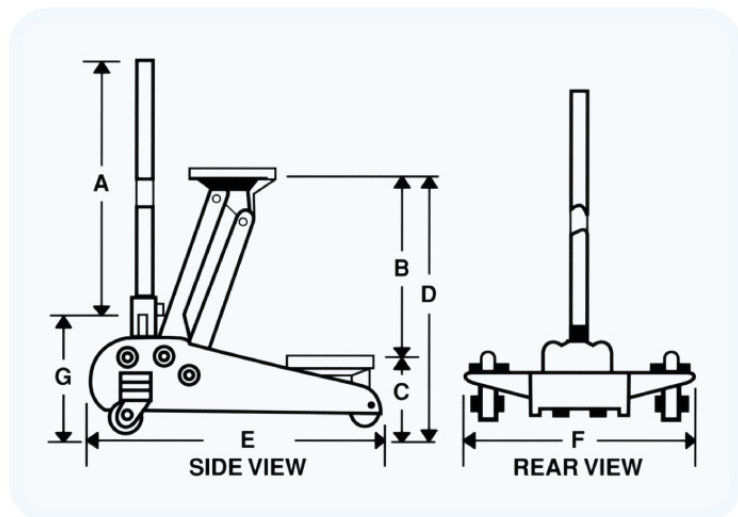
Specially designed aluminum floor jack for race car repair services.

Special Features

1. *Fast Performance* - Rapid lift with 6 pumps to reach maximum height.
2. *Light, Compact and Durable* - Fully CNC profile machined from aircraft grade billet aluminum for strength and maximum weight savings.
3. *Low Profile* - Extra low starting height and jack frame especially designed for racing cars.
4. Side mounted handle bar for quick and easy carrying.
5. One piece handle strengthens the rigidity for pumping.
**Handle comes in separate package.*
6. Handle stop bracket and assembly tool are included.
7. Optional dirt track stabilizer for use on non-paved surfaces.
8. Shipped with replacement wearing parts kit for future repair service use.



Optional dirt track stabilizer used for adjustments on unpaved ground.
Part No: 94015A-DTS



| Model Number | Capacity (Tons) | Handle Length (in) A | Hydraulic Lift (in) B | Minimum Height (in) C | Overall Jack Height (in) D | Chassis Length (in) E | Chassis Width (in) F | Height of Frame (in) G | Shipping Weight (lbs) |
|--------------|-----------------|-------------------------|--------------------------|--------------------------|-------------------------------|--------------------------|-------------------------|---------------------------|-----------------------|
| ZSJ-10A | 1 | 43 | 14 | 3 1/2 | 17 1/2 | 23 5/8 | 11 5/8 | 6 | 42 |