



Super Low Profile Service Jack

Model: ZSJ-13A
Capacity: 1.3 tons
Weight: 40 lbs



Usage

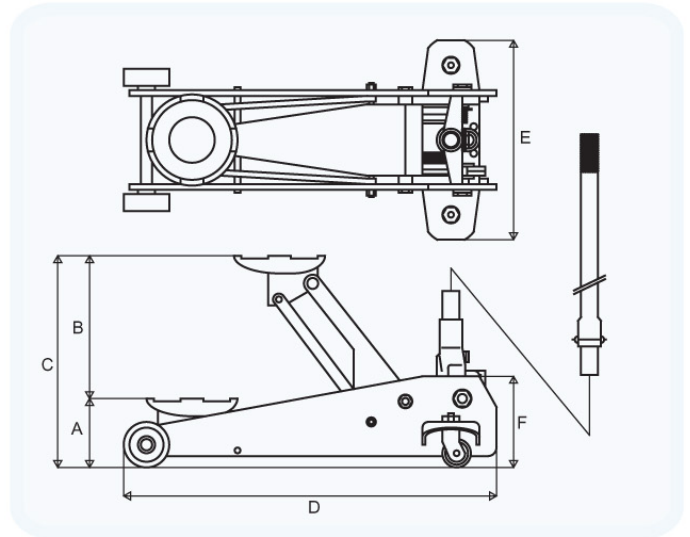
Super low profile & light weight - the initial pick up point is only 2-1/8". Super low chassis with frame height under 3 1/2" this jack can go straight under car without touching the side frame. Form fitted saddle so slim that it did not increase the height of saddle, also prevents damage to the finish of the undercarriage.

Special Features

1. *Light, Compact and Durable* - Fully CNC profile machined from aircraft grade billet aluminum for strength and maximum weight savings.
2. *Low Profile* - Extra low starting height (2-1/8") and jack frame especially designed for race cars.
3. Side mounted handle bar for quick and easy carrying.
4. One piece handle strengthens the rigidity for pumping.



Super Low Pickup Point



Model Number	Capacity (Tons)	Min Ht. (in) A	Hydraulic Lift (in) B	Max Ht. (in) C	Chassis Length (in) D	Chassis Width (in) E	Ht. of Frame (in) F	Shipping Weight (lbs)
ZSJ-13A	1.3	2 1/8	15 1/4	17 3/8	24	11 3/4	6	40