



Hydraulic Wedge Jacks

Model: ZWF Series
Capacity: 32 tons
Weight: 39 - 45 lbs

Usage

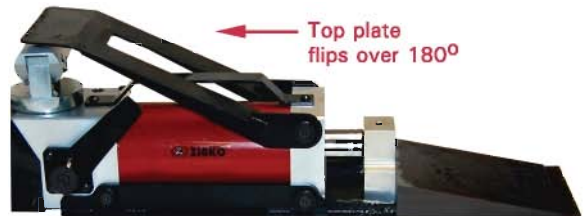
These lightweight, portable, and easy-to-use wedge jacks make for a simple, one person operation and are an ideal choice for rescue operations. Designed to penetrate and open, the heavy-duty cylinder allows for an easy return. The unique interlocking wedge design eliminates first step bending and risk of slipping out of the joint. With these units, there is no need for additional tools or chainblocks. The 360° handle makes for easy usage in any position.

Special Features

1. All models have a self contained reservoir and are equipped with a single plunger.
2. All models are designed with a compact frame which reduces weight for greater portability, also come with a classic wooden storage case for easy transport.
3. Two type of wedges are available: standard model (ZWF-30) or floor models (ZWF-31 ~ ZWF-32).
4. ZWF-31 model comes with built in 4-way, 3 position manual valve for easy advance and retraction.
5. ZWF-31G model is equipped with a pressure gauge for pressure readings when force is applied.



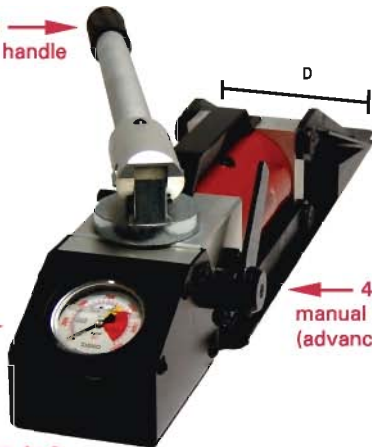
Classic wooden case for easy transport.



Top plate flips over 180°

*When used with plate in this position, greasing the wedge is recommended.

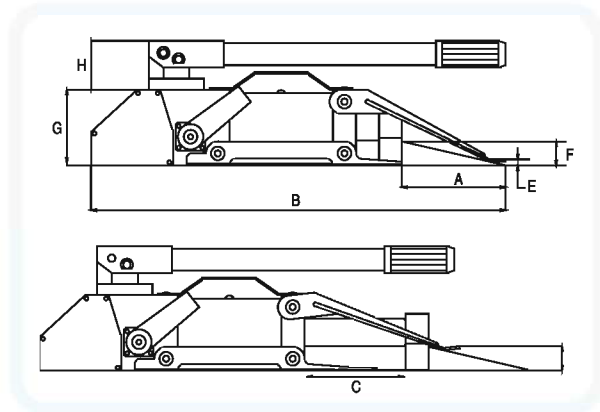
Free turning →
360 degree handle



Pressure Gauge →

← 4 way manual valve (advance/hold/return)

ZWF-31G



Model Number	Capacity (tons)	Stroke (in)	Min. Height (in)	Max. Height (in)	Dimensions (in)								Ship Wt. (lbs)
					A	B	C	D	E	F	G	H	
ZWF-30	32	5.50	0.24	1.34	9.75	21.75	5.50	5	0.2	1.34	4.25	2.75	43
ZWF-31G	32	5.50	0.24	1.34	9.75	25.50	5.50	5	0.2	1.34	3.76	2.75	45
ZWF-31	32	5.50	0.24	1.34	9.75	21.75	5.50	5	0.2	1.34	4.25	2.75	43
ZWF-32	32	5.50	0.24	1.34	9.75	21.75	5.50	2.43	0.24	1.34	3.65	2.75	39